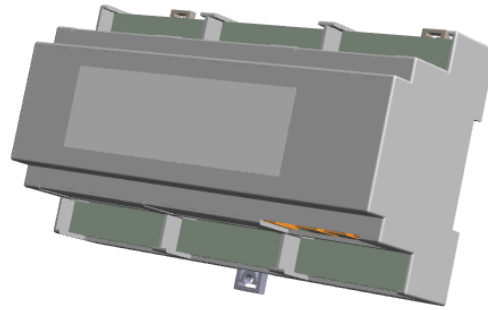


Multi-purpose wiring centre

ORC-HAGW-12-V1.0



Contents

Description of use	2
Brief overview	2
Underfloor Heating Control	2
Shading Control.....	2
Terminal Connections	3
Examples of installation	4
Din rail only	4
Plastic enclosure	4
GW44208	4
Orcomm DIN Enclosures	4
Examples of connections	5
UFH Heating (WET) 230VAC.....	5
UFH Heating (WET) 24VAC.....	6

Description of use

Brief overview

ORC-HAGW-12 is designed to operate up to 12 No. zones (Relay/s) triggered by 12x inputs (0-10V).

The ORC-HAGW-12 allows the use of different voltage inputs for the 12 No. Relays. The COMMON input allows 12, 24 and 230V common voltage.

ORC-HAGW-12RS has additional RS485 Communication board to allow additional A/B connections to be active. Designed to allow communication between orcomm Touch Screens using RS485. When wiring in series ensure the power for all devices are kept with the minimum requirements specified by the device.

Underfloor Heating Control

ORC-HAGW-12 can be used to operate 12 No. actuators powered by 12, 24 or 240V. Operations are open or closed only. To assist the ORC-HAGW-12 also has 2 No. relays for Pump and HIU.

Shading Control

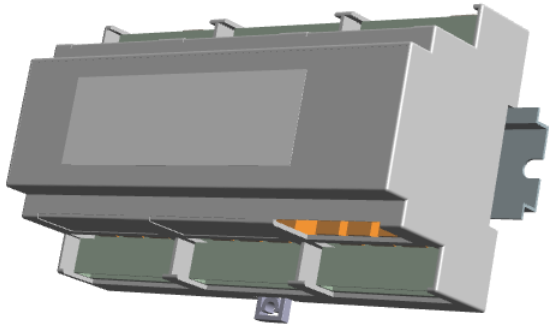
ORC-HAGW-12 can be used to operate 6 No. zones with open or closed functionality only.

Terminal Connections

Zone 1 Output	Z1 (+ / ~) Z1 (- / ~)	(+ / ~) IN (- / ~) IN	Common Power input (12, 24 AC/DC or 240V AC)
Zone 2 Output	Z2 (- / ~) Z2 (+ / ~) NA	NA NA NA	Not used
Zone 3 Output	Z3 (+ / ~) Z3 (- / ~)	NO COM	Pump
Zone 4 Output	Z4 (- / ~) Z4 (+ / ~)	NO COM	HIU
Zone 5 Output	Z5 (+ / ~) Z5 (- / ~)	IN1 IN2	Zone 1 input Zone 2 input
Zone 6 Output	Z6 (- / ~) Z6 (+ / ~) NA	IN3 IN4 GND	Zone 3 input Zone 4 input Not used
Zone 7 Output	Z7 (+ / ~) Z7 (- / ~)	IN5 IN6	Zone 5 input Zone 6 input
Zone 8 Output	Z8 (- / ~) Z8 (+ / ~)	IN7 IN8	Zone 7 input Zone 8 input
Zone 9 Output	Z9 (+ / ~) Z9 (- / ~)	IN9 IN10	Zone 9 input Zone 10 input
Zone 10 Output	Z10 (- / ~) Z10 (+ / ~) NA	IN11 IN12 A	Zone 11 input Zone 12 input RS485
Zone 11 Output	Z11 (+ / ~) Z11 (- / ~)	B Shield	
Zone 12 Output	Z12 (- / ~) Z12 (+ / ~)	12V DC 0V	12V DC power input (1.2A)

Examples of installation

Din rail only



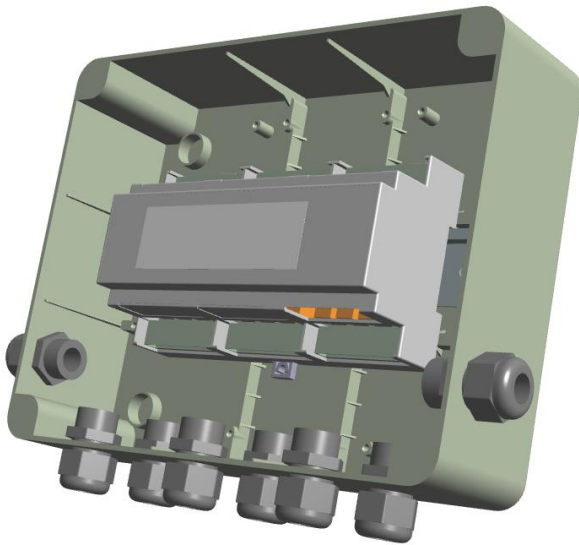
Plastic enclosure

GW44208

GEWISS Plastic enclosure 240 x 190 x 90mm

20mm Glands

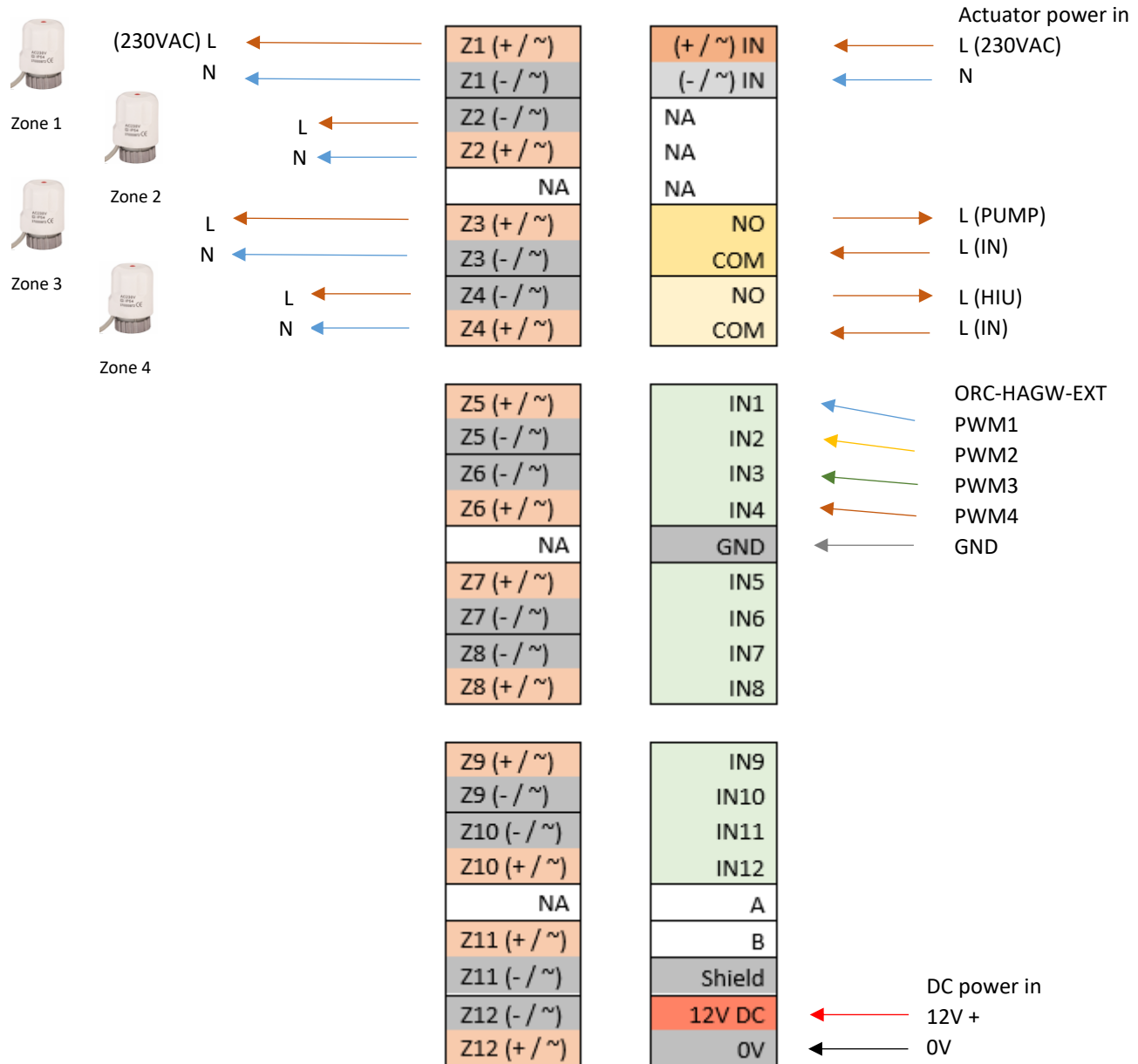
Din rail



Orcomm DIN Enclosures

Examples of connections

UFH Heating (WET) 230VAC



UFH Heating (WET) 24VAC

