

CONSUMER FUSE BOX

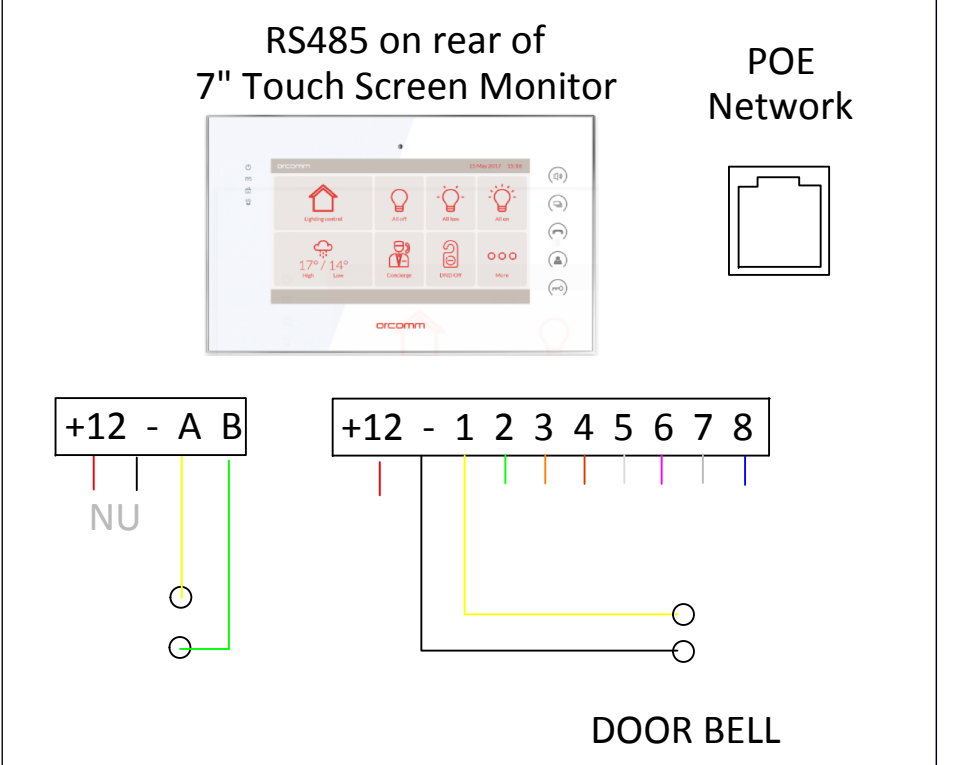
Ensure max inrush current of load is not exceeded for circuit breaker type & rating

CPC to corresponding circuits

Slave switch/dimmer wirelessly paired with any master switch

Any gang can be wirelessly paired with other master switch/dimmer
Above example L2 no connection required. 2way wirelessly controlled

- Notes:
1. This Drawing is property of Orcomm. It must not be copied nor reproduced without written consent.
 2. All contractors must visit site and be responsible for taking and checking all dimensions related to the works shown on the drawing.
 3. Orlight do not produce construction drawings



Connection Diagram
Examples shown is using 2, 3 and 4 core to
ORC-HC2-3A-RS485-WH

1	Digitex Example	--	19/-
Rev No:	Description:	By:	Date:

NOT A CONSTRUCTION DRAWING

Connection Diagram
DIGITEX

Head Office:
Victor Way, Radlett Rd, Colney Street, St Albans, AL2 2FL
01923 851890

London Office:
1-3 Sun Street, Moorgate, London, EC2A 2EP
020 3982 3388

TITLE:	ORC-CONNECTION-DIGITEX-DWG1			
SCALE:	DATE:	REV NO:	DRAWN BY:	CHECKED BY:
NTS@A3	30-04-2019	V2	TH	