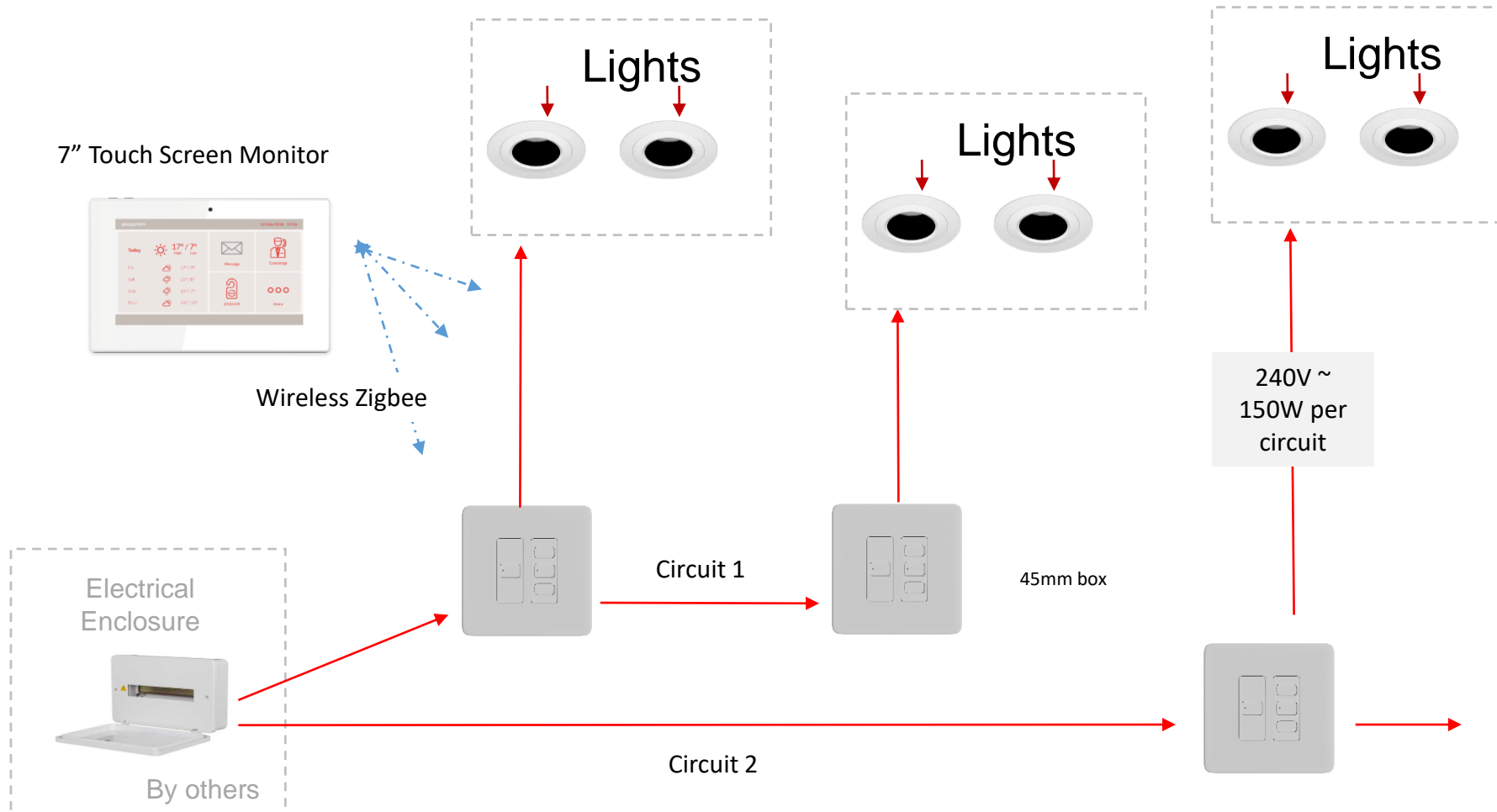




Wiring Quick Guide

Lighting Control – Digilux



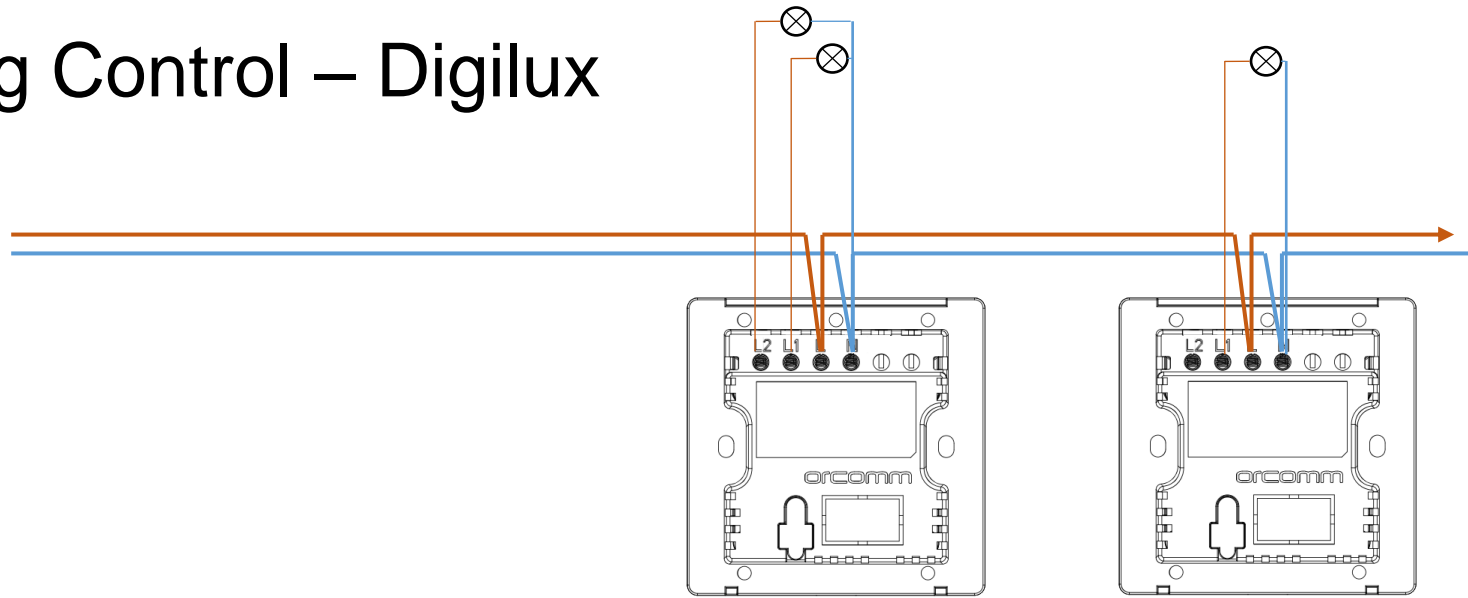
Door Entry
Concierge
Lighting
Heating
Cooling
Leak Detection
Access Control
Blinds

7" Touch Screen Monitor will control the lighting circuits through the gateway using Zigbee wireless technology.
Note: the lights are 240V fed and power 240V LED lights up to 150W max per circuit

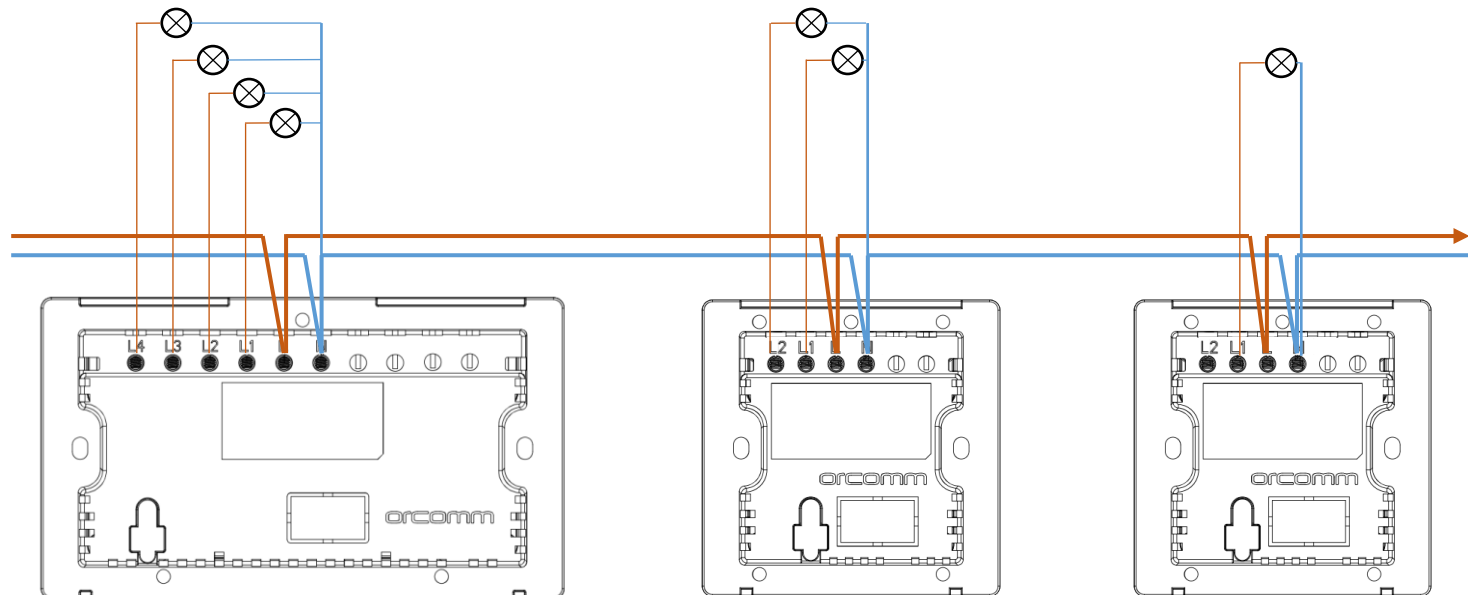
For more info visit:
<https://www.orcomm.co.uk/digilux/>

Lighting Control – Digilux

Feed 1 (6A)



Feed 2 (6A)

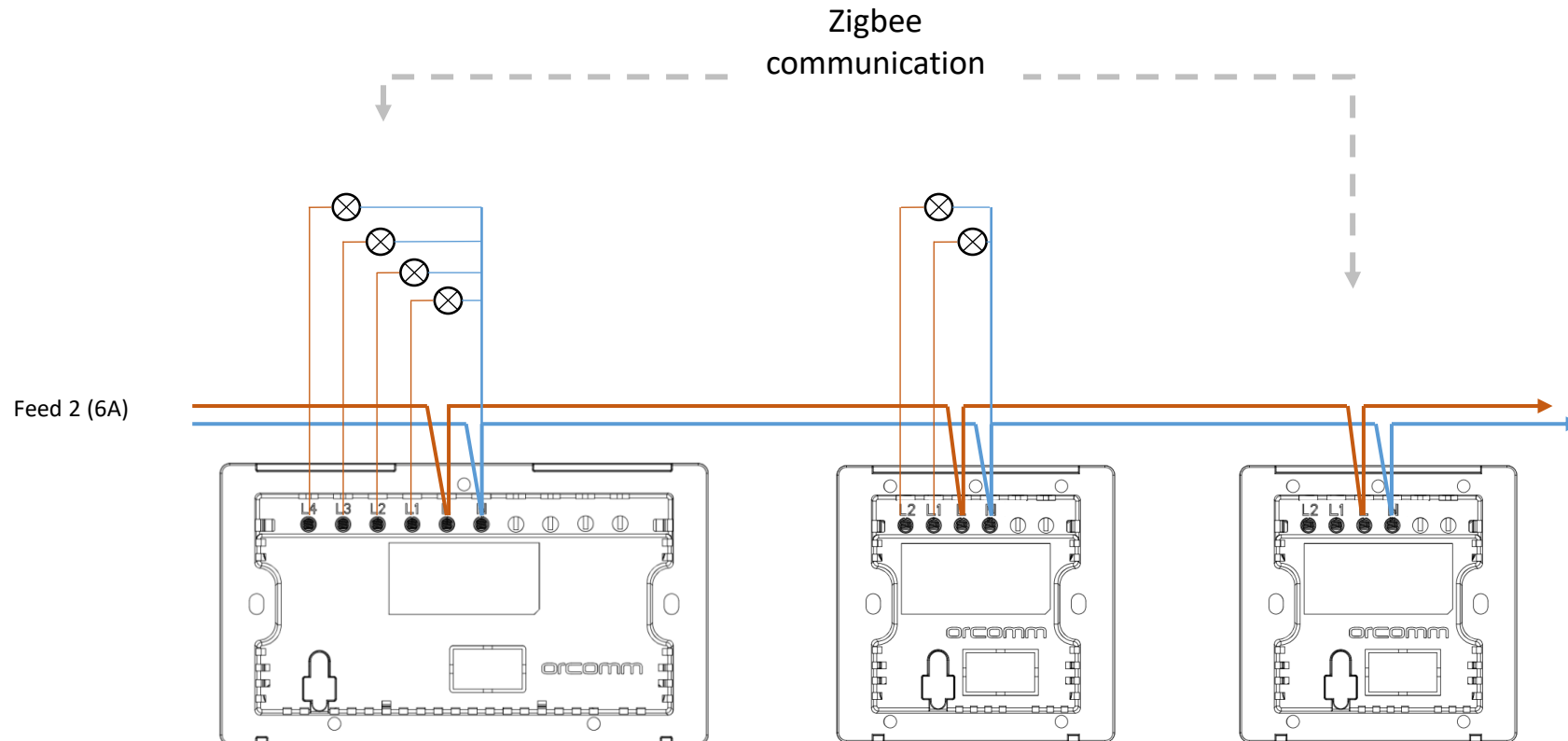


Door Entry
Concierge
Lighting
Heating
Cooling
Leak Detection
Access Control
Blinds

For more info visit:
<https://www.orcomm.co.uk/digilux/>

Lighting Control – Digilux (2-way / intermediate)

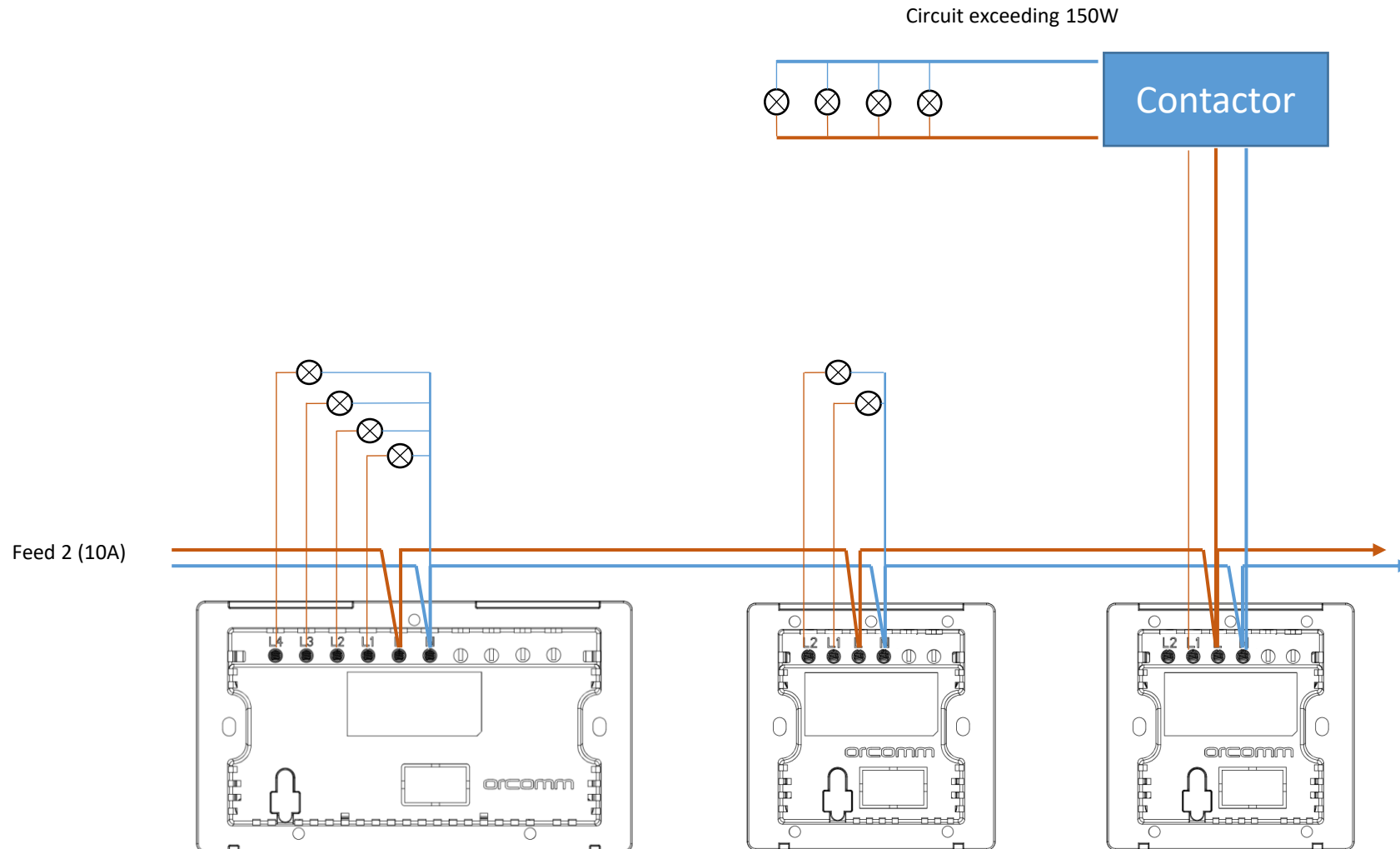
2-way / intermittent lighting works through Zigbee communication
NO Hard wire required



Door Entry
Concierge
Lighting
Heating
Cooling
Leak Detection
Access Control
Blinds

For more info visit:
<https://www.orcomm.co.uk/digilux/>

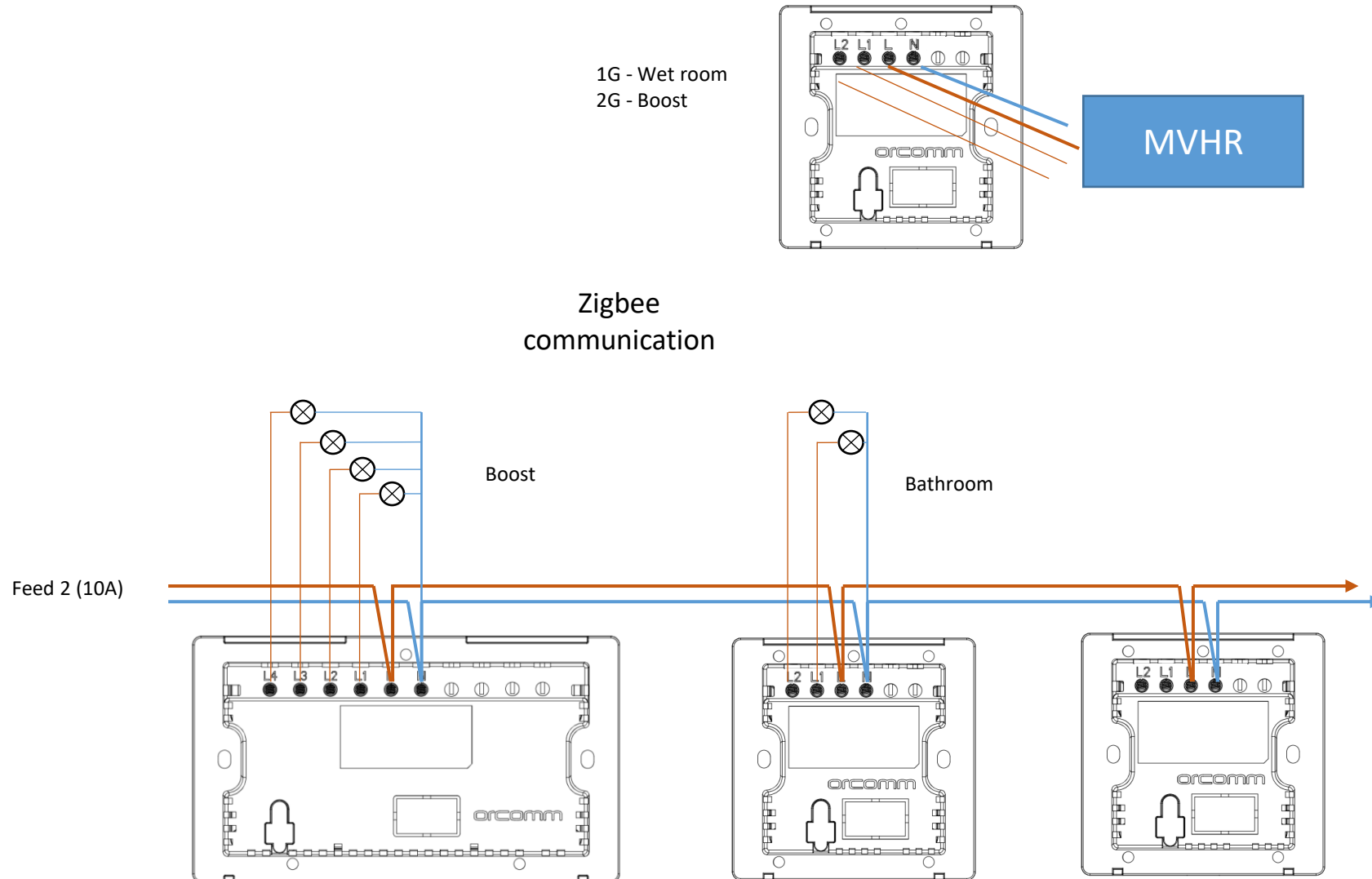
Lighting Control – Digilux (contactor 150W+)



Door Entry
Concierge
Lighting
Heating
Cooling
Leak Detection
Access Control
Blinds

For more info visit:
<https://www.orcomm.co.uk/digilux/>

Lighting Control – MVHR



Door Entry
Concierge
Lighting
Heating
Cooling
Leak Detection
Access Control
Blinds