

Leak Detection – Manual V1.5



Contents

Introduction.....	2
Wired water leak sensor (ORC-LEAK-WD-WH).....	2
Specification	2
Installation.....	2
Cable Junction box.....	3
Maximum capacity	3
Testing the sensor	4
More information Links	4
ORC-LEAK-WD-WH	4
Smart Home.....	4

Introduction

This guide is designed to help understand orcomm offering for Water Leak detection via the Smart Home system.

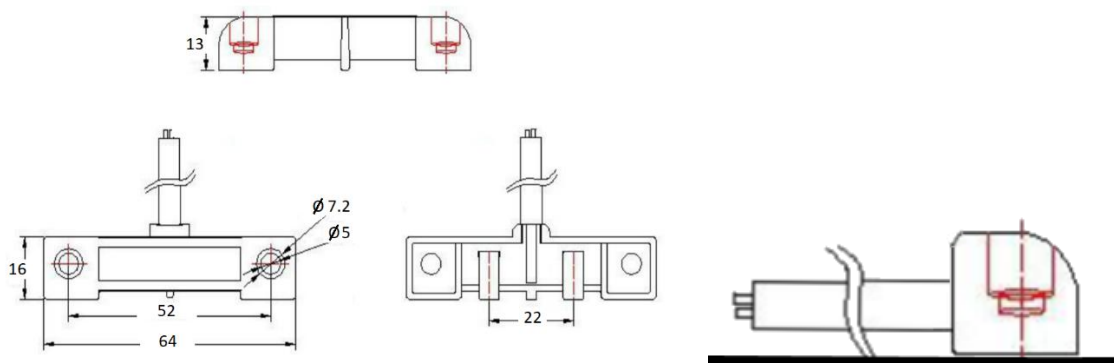
For further installation instructions, please refer to the Orcomm Smart Home Touch Screen Installation manual available at www.orcomm.co.uk/downloads.

Wired water leak sensor (ORC-LEAK-WD-WH)

Low Profile Water sensors that can be installed in areas vulnerable to water leak.

Specification

- L64 x W16 x H13mm (excluding wire)
- Housing Material – ABS White
- Working Voltage 5 – 12V DC (Red is Positive and White is Ground)
- Max voltage – (Peak) 24V DC
- Max current 0.5A
- Temperature -10 to +65 C
- Wire cored – up to 350mm length
- Wire termination Red= (+), White= (-)
- Output type NPN type



Installation

This unit is designed for one use application. Once the unit has been submerged in water it **MUST** be replaced.

Please follow the instructions of the monitoring device for any additional installation requirements.

The Water Leak detection requires voltage to work correctly. It is **NOT** a passive device. Inside the unit contains electronic components that monitor the water across the 2x metal plates.

The sensor must be mounted as above. Ideally the unit should be screwed into the floor.

The Floor **MUST NOT** be made of any electrically conducted material, as the sensor's probes may have a resistance that can cause false alarms.

Cable Junction box

To ensure a professional installation we recommend using a cable junction box (# reference in this document) when wiring or connecting 2 or more cables. Orcomm does not currently offer Junction Box. Examples:



Alarm Junction Box



6-way Electrical JB

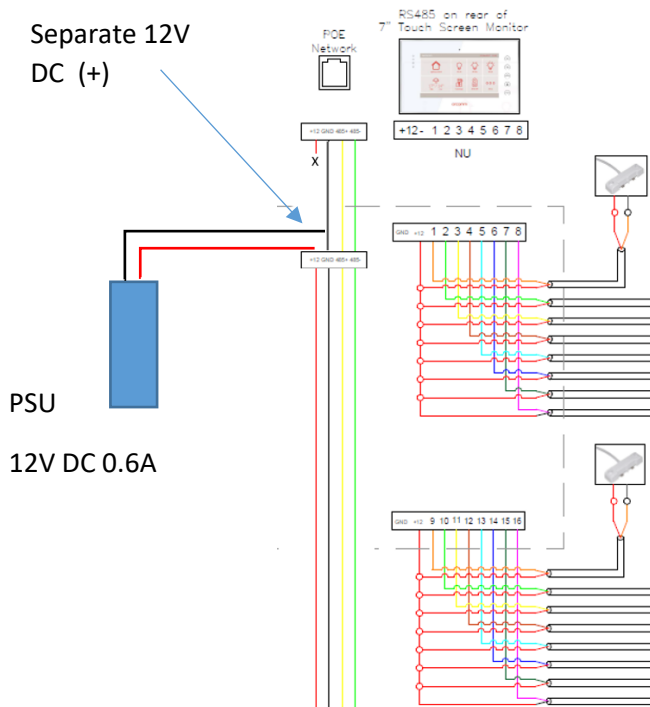


Telephone JB

Maximum capacity

When installing the Alarm extension board you must consider the consumption of each sensor.

If installing 2x ORC-ALARM-16 boards (for 32 zones) then additional 12V DC PSU (0.6A) may be required.



Testing the sensor

When testing the sensor – short the 2 blades on the water leak sensor together with a metal wire. The monitoring device will then detect the connection and trigger as per designed application.



More information Links

ORC-LEAK-WD-WH

<https://www.orcomm.co.uk/product/orc-leak-wd-wh/>

Smart Home

<https://www.orcomm.co.uk/product-category/products/home-control/>