

Leak Detection – Manual V1.2



Contents

Introduction.....	1
Wired water leak sensor (ORC-LEAK-WD-WH).....	2
Specification	2
Installation.....	2
Cable Junction box.....	2
Wiring to Orcomm Smart Touch Screen (V1 pre 6/2018 models)	3
Wiring to Orcomm Smart Touch Screen (V2 8/2018 onwards).....	3
Wiring to Orcomm ORC-ALARM-16 (2020 onwards).....	4
Wiring to Orcomm ORC-HAGW-EXT.....	5
Testing the sensor	5
More information Links.....	5
ORC-LEAK-WD-WH	5
Smart Home.....	5

Introduction

This guide is designed to help understand orcomm offering for Water Leak detection via the Smart Home system.

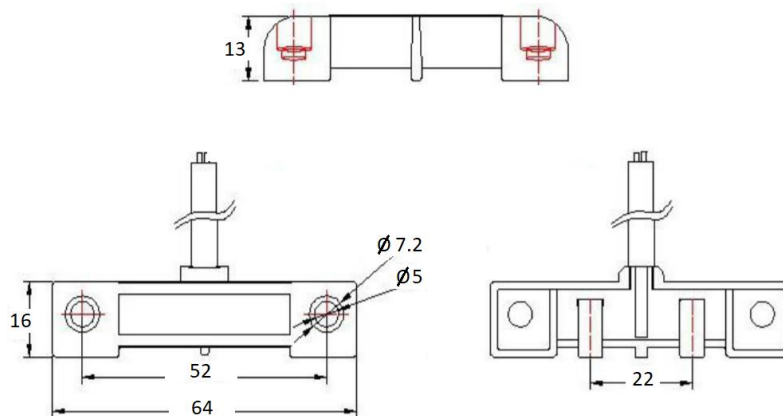
For further installation instructions, please refer to the Orcomm Smart Home Touch Screen Installation manual available at www.orcomm.co.uk/downloads.

Wired water leak sensor (ORC-LEAK-WD-WH)

Low Profile Water sensors that can be installed in areas vulnerable to water leak.

Specification

- L64 x W16 x H13mm (excluding wire)
- Housing Material – ABS White
- Working Voltage 5 – 12V DC (Red is Positive and White is Ground)
- Max voltage – (Peak) 24V DC
- Max current 0.5A
- Temperature -10 to +65 C
- Wire cored – up to 350mm length
- Wire termination Red= (+), White= (-)
- Output type NPN type



Installation

This unit is designed for one use application. Once the unit has been submerged in water it must be replaced.

Please follow the instructions of the monitoring device for any additional installation requirements.

The Water Leak detection requires voltage to work correctly. It is NOT a passive device. Inside the unit contains electronic components that monitor the water across the 2x metal plates.

Cable Junction box

To ensure a professional installation we recommend using a cable junction box (# reference in this document) when wiring or connecting 2 or more cables. Orcomm does not currently offer Junction Box.

Examples:



Alarm Junction Box



6-way Electrical JB



Telephone JB

Wiring to Orcomm Smart Touch Screen (V1 pre 6/2018 models)

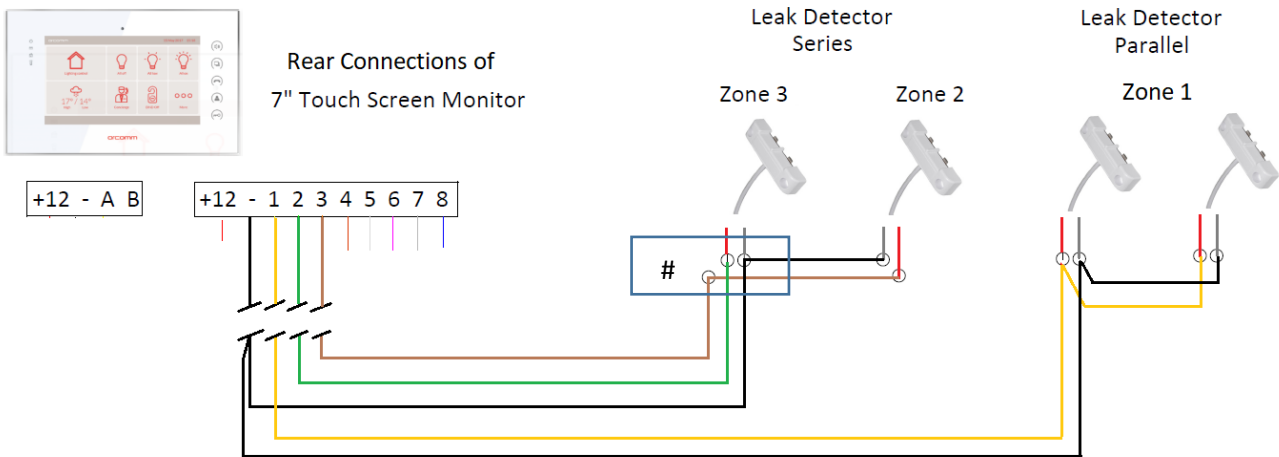
The below can be followed when installing with monitors Version 1.

Set the Alarm type to "24 Hours"

Touch Screen Monitor will need to be set in "NO" mode

Voltage will measure 4 to 5V DC in standby mode

When Zones 1 – 8 are pulled below 1V DC the alarm will trigger



Wiring to Orcomm Smart Touch Screen (V2 8/2018 onwards)

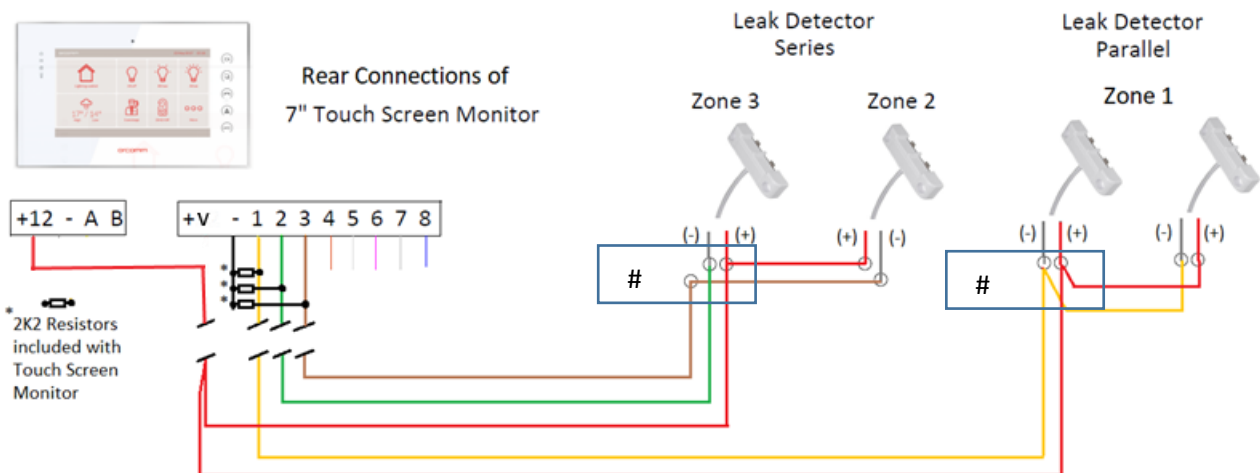
The below can be followed when installing with monitors Version 2.

Touch Screen Monitor will need to be set in "3C" mode

Set the Alarm type to "24 Hours"

Voltage will measure between 2 to 3V DC in standby mode

When Zones 1 – 8 are pulled higher than 4V DC the alarm will trigger



Wiring to Orcomm ORC-ALARM-16 (2020 onwards)

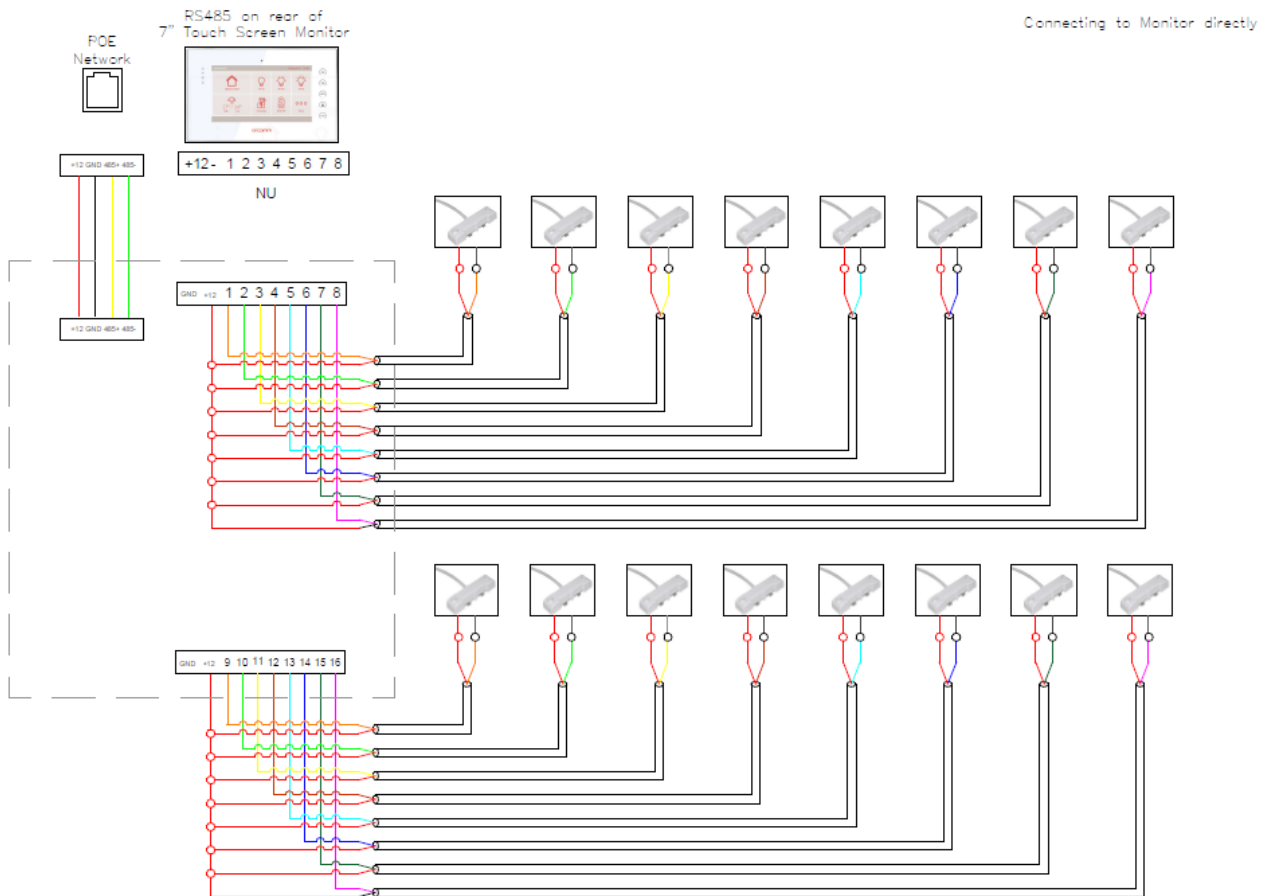
The below can be followed when installing with monitors Version 2.

Touch Screen Monitor will need to be set in "3C" mode

Set the Alarm type to "24 Hours"

Voltage will measure between 2 to 3V DC in standby mode

When Zones 1 – 8, 9-16 are pulled higher than 4V DC the alarm will trigger



Note: the monitor inputs work in parallel:

- If using zones 1-8 rear of Touch Screen monitor then DO NOT use zones 1-8 on extension board

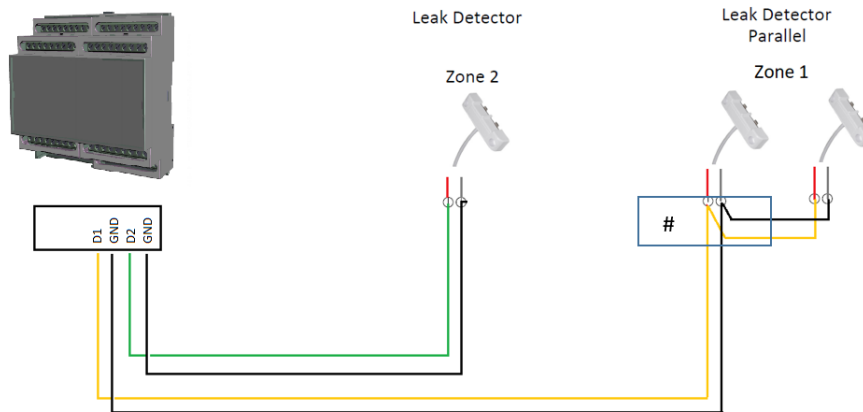
Wiring to Orcomm ORC-HAGW-EXT

The below can be followed when installing with orcomm Smart Home Gateway Extension.

The ORC-HAGW-EXT must be set to monitoring Water Leak

Stand by voltage will vary depending on set up – refer to ORC-HAGW-EXT manual.

When Digital Input is pulled down the alarm will input trigger.



Testing the sensor

When testing the sensor – short the 2 blades on the water leak sensor together with a metal wire. The monitoring device will then detect the connection and trigger as per designed application.



More information Links

ORC-LEAK-WD-WH

<https://www.orcomm.co.uk/product/orc-leak-wd-wh/>

Smart Home

<https://www.orcomm.co.uk/product-category/products/home-control/>