

Orcomm

ORC E2V2 / ORC E3V2 / ORC E6V2

Quick connection Diagram v1.1

Contents

Introduction.....	2
ORC E- V2 range connection overview	2
Door Panel Connections	3
12V DC Power	3
Network Connection	3
Optional.....	3
Wiegand reader to Access Controller.....	3
Local Door Contact / Press to Exit	4
ORC-UM-R (Standard).....	4
ORC-UM-R (RS485)	4

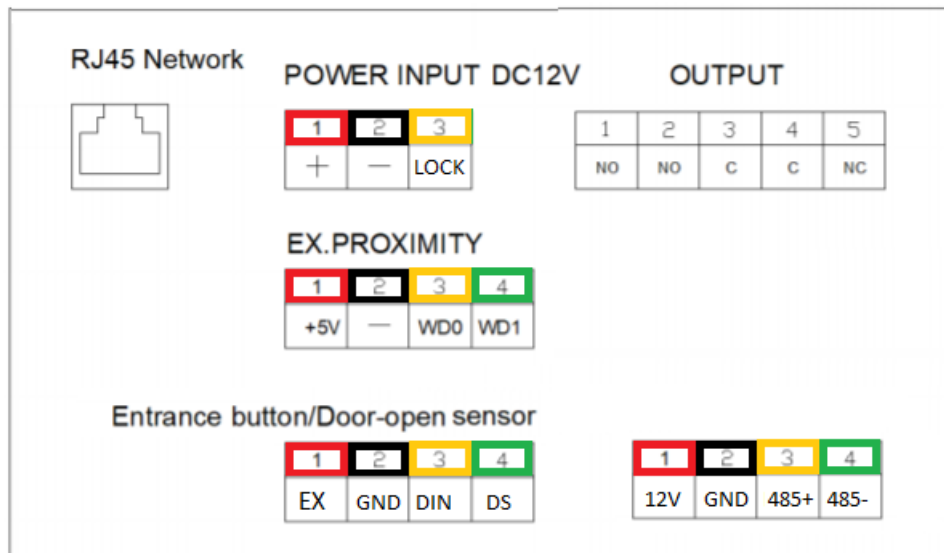
ORC-E-V2_QUICK_CONNECTION_V1

Introduction

Please note, this guide is intended for installation and commissioning partners.

For more information visit www.orcomm.co.uk/resources.

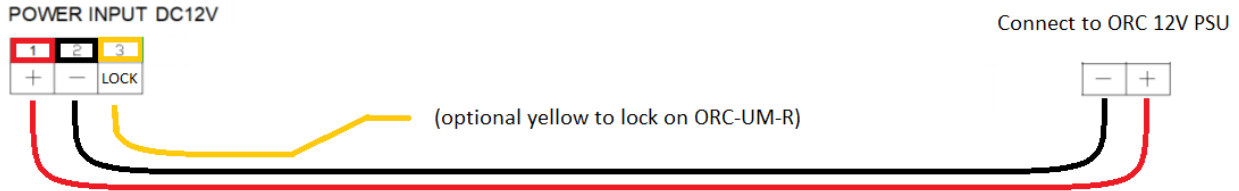
ORC E- V2 range connection overview



Door Panel Connections

12V DC Power

Connect the 12V DC power Supply to the input of the Door Panel.



Network Connection

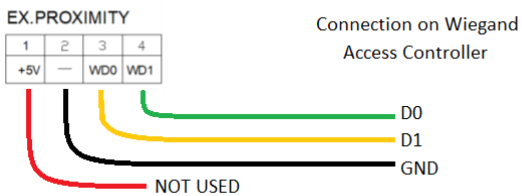
Connect the Ethernet to a network switch



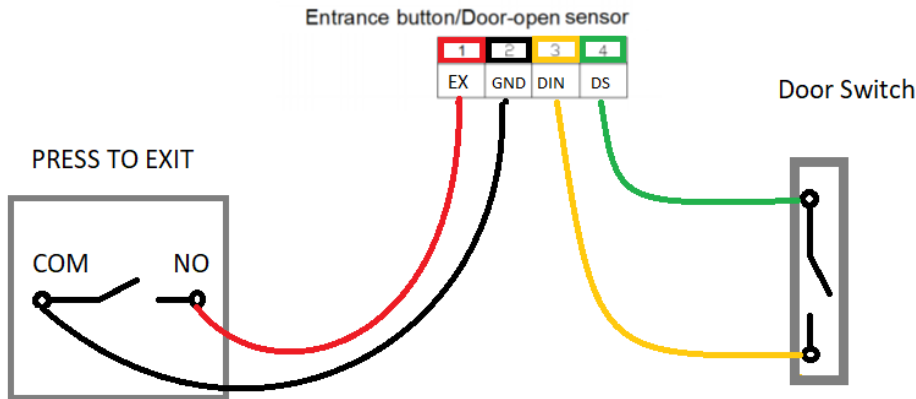
Optional

Wiegand reader to Access Controller

Connect the GND, WD0 & WD1 to GND, D0 and D1 of the Access Controller (Wiegand 26-bit)

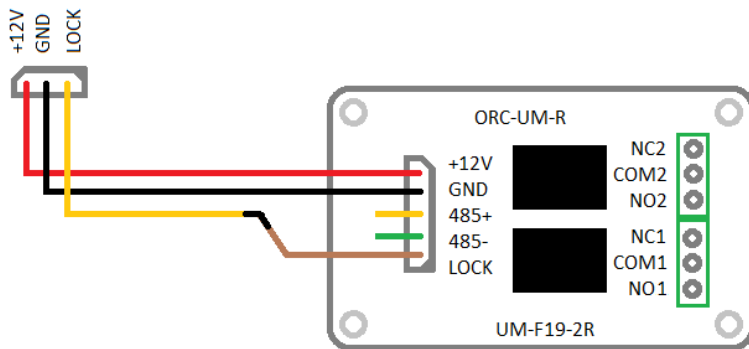


Local Door Contact / Press to Exit



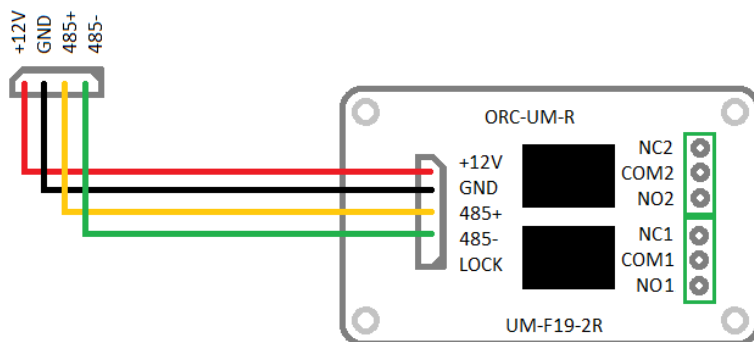
ORC-UM-R (Standard)

Connect the ORC-UM-R with 12V, GND and LOCK between Door Panel and Riser



ORC-UM-R (RS485)

Connect the ORC-UM-R with RS485 when installation requires encryption between Door Panel and Riser (i.e. Secure By Design)

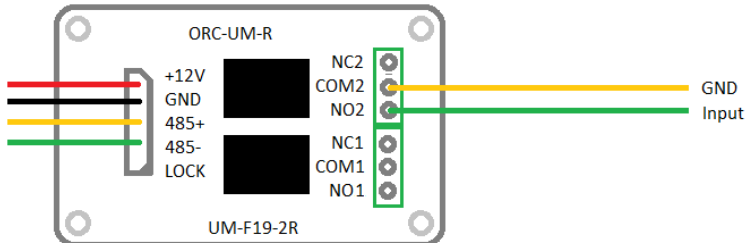


ORC-UM-R – Relay Output

There are several options to wire the relay contact terminals.

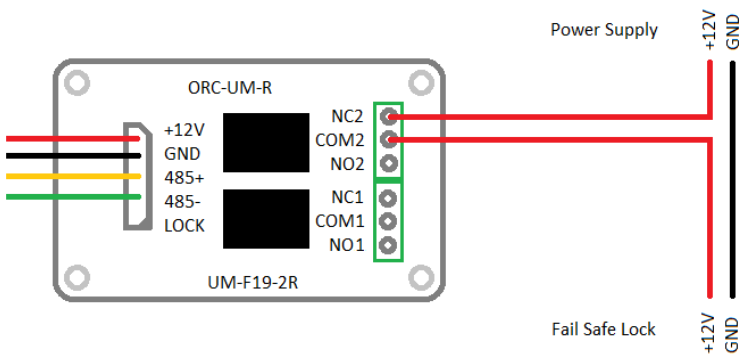
Access Control / 3rd Party devices

The below diagram will send a short signal (close contact on trigger). Commonly used with Access Controllers (GND and PTE), or IN1 & IN2 on Automatic door / gates.



Fails Safe

The below diagram will open the relay contact on trigger from Video Door Entry System. Commonly used with Fail safe locks (Remove power to open).



Fail Secure

The below diagram will close the relay contact on trigger from Video Door Entry System. Commonly used with Fail secure locks (Power to open).

