

# Orcomm

## ORC E2V2 / ORC E3V2 / ORC E6V2

### Quick connection Diagram v1.2

#### Contents

Introduction.....	2
ORC E- V2 range connection overview.....	2
Door Panel Connections .....	3
12V DC Power.....	3
Network Connection .....	3
Optional.....	3
Wiegand reader to Access Controller.....	3
Local Door Contact / Press to Exit .....	4
ORC-UM-R (Standard).....	4
ORC-UM-R (RS485) .....	4
ORC-UM-R – Relay Output .....	5
Lock Connections direct to Door Panel (no unlock Module).....	6
Fail Safe.....	6
Fail Secure.....	7

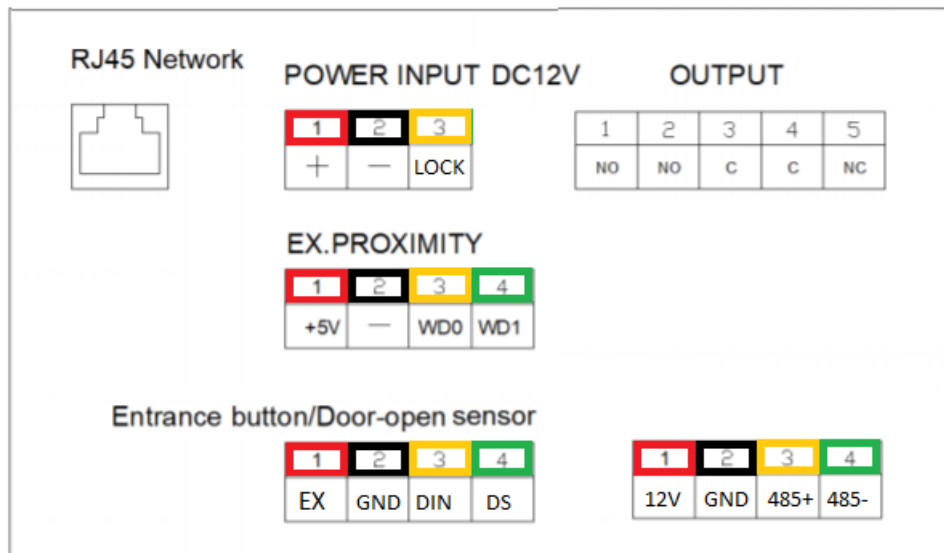
ORC-E-V2\_QUICK\_CONNECTION\_V1.2

## Introduction

Please note, this guide is intended for installation and commissioning partners.

For more information visit [www.orcomm.co.uk/resources](http://www.orcomm.co.uk/resources).

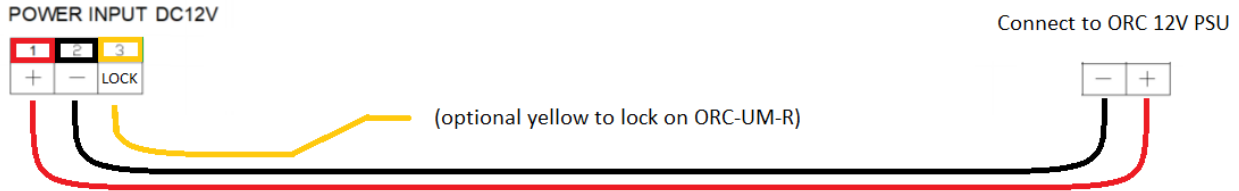
## ORC E- V2 range connection overview



## Door Panel Connections

### 12V DC Power

Connect the 12V DC power Supply to the input of the Door Panel.



### Network Connection

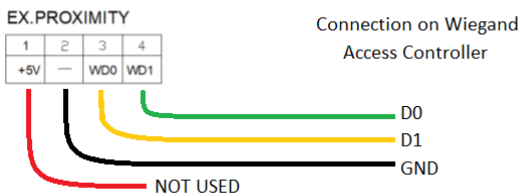
Connect the Ethernet to a network switch



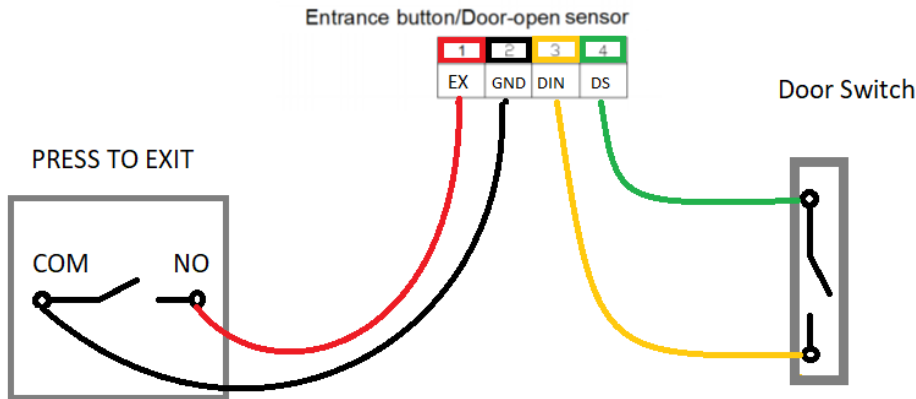
### Optional

#### Wiegand reader to Access Controller

Connect the GND, WD0 & WD1 to GND, D0 and D1 of the Access Controller (Wiegand 26-bit)

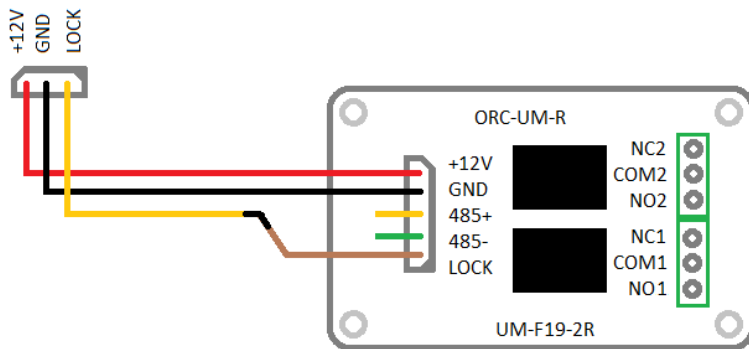


Local Door Contact / Press to Exit



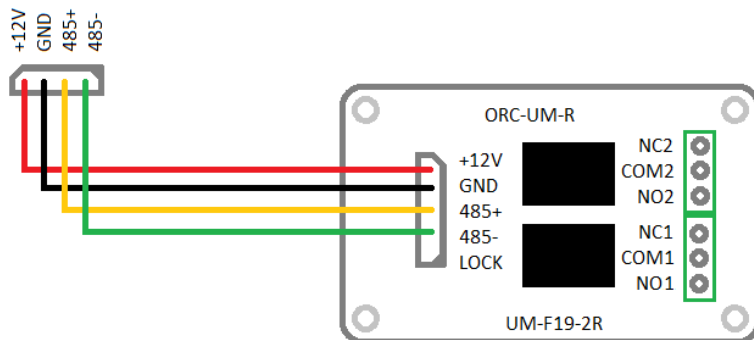
ORC-UM-R (Standard)

Connect the ORC-UM-R with 12V, GND and LOCK between Door Panel and Riser



ORC-UM-R (RS485)

Connect the ORC-UM-R with RS485 when installation requires encryption between Door Panel and Riser (i.e. Secure By Design)

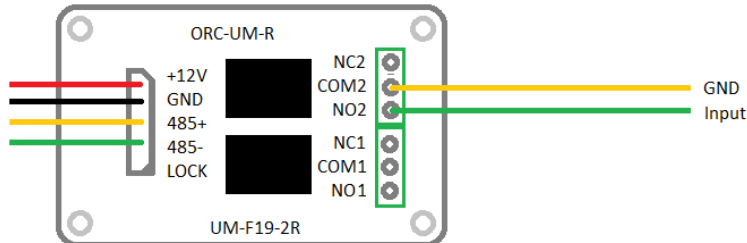


### ORC-UM-R – Relay Output

There are several options to wire the relay contact terminals.

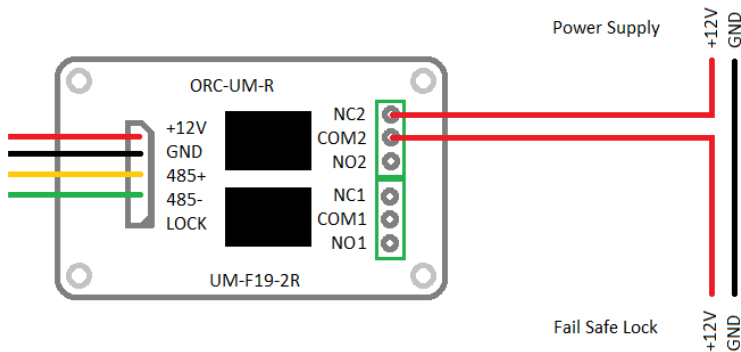
#### Access Control / 3<sup>rd</sup> Party devices

The below diagram will send a short signal (close contact on trigger). Commonly used with Access Controllers (GND and PTE), or IN1 & IN2 on Automatic door / gates.



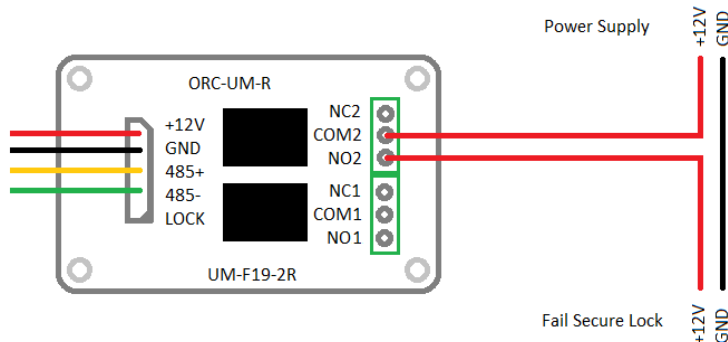
#### Fails Safe

The below diagram will open the relay contact on trigger from Video Door Entry System. Commonly used with Fail safe locks (Remove power to open).



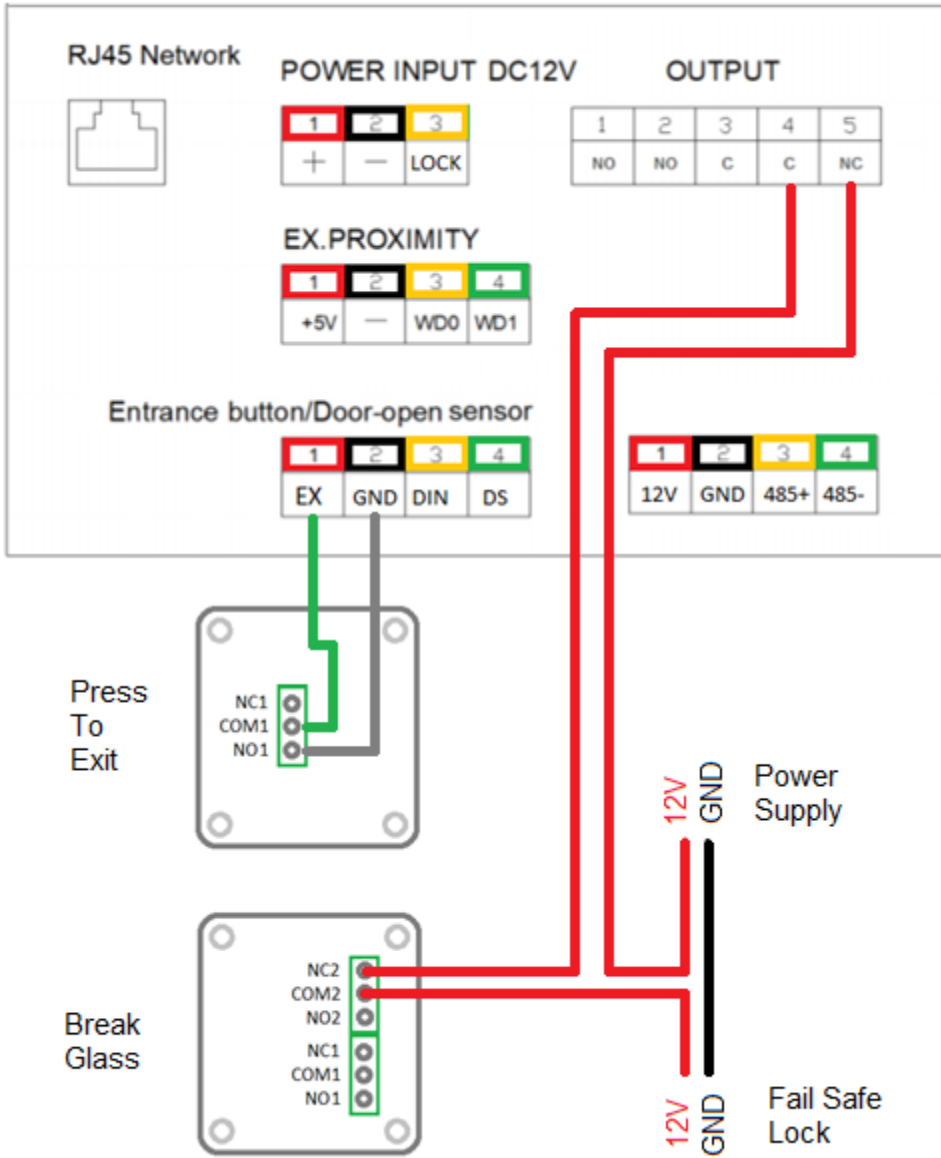
#### Fail Secure

The below diagram will close the relay contact on trigger from Video Door Entry System. Commonly used with Fail secure locks (Power to open).



## Lock Connections direct to Door Panel (no unlock Module)

### Fail Safe



Fail Secure

