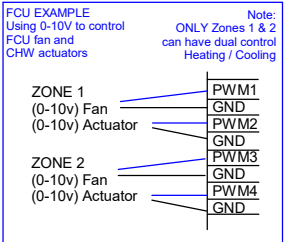
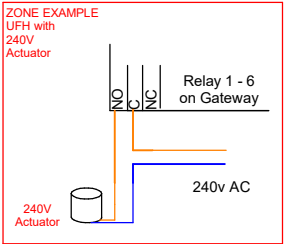
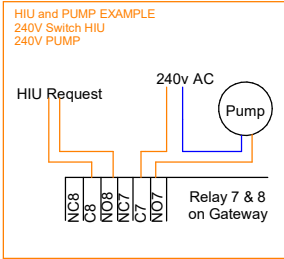


REVISION HISTORY			
REV	DESCRIPTION	DATE	APPROVED



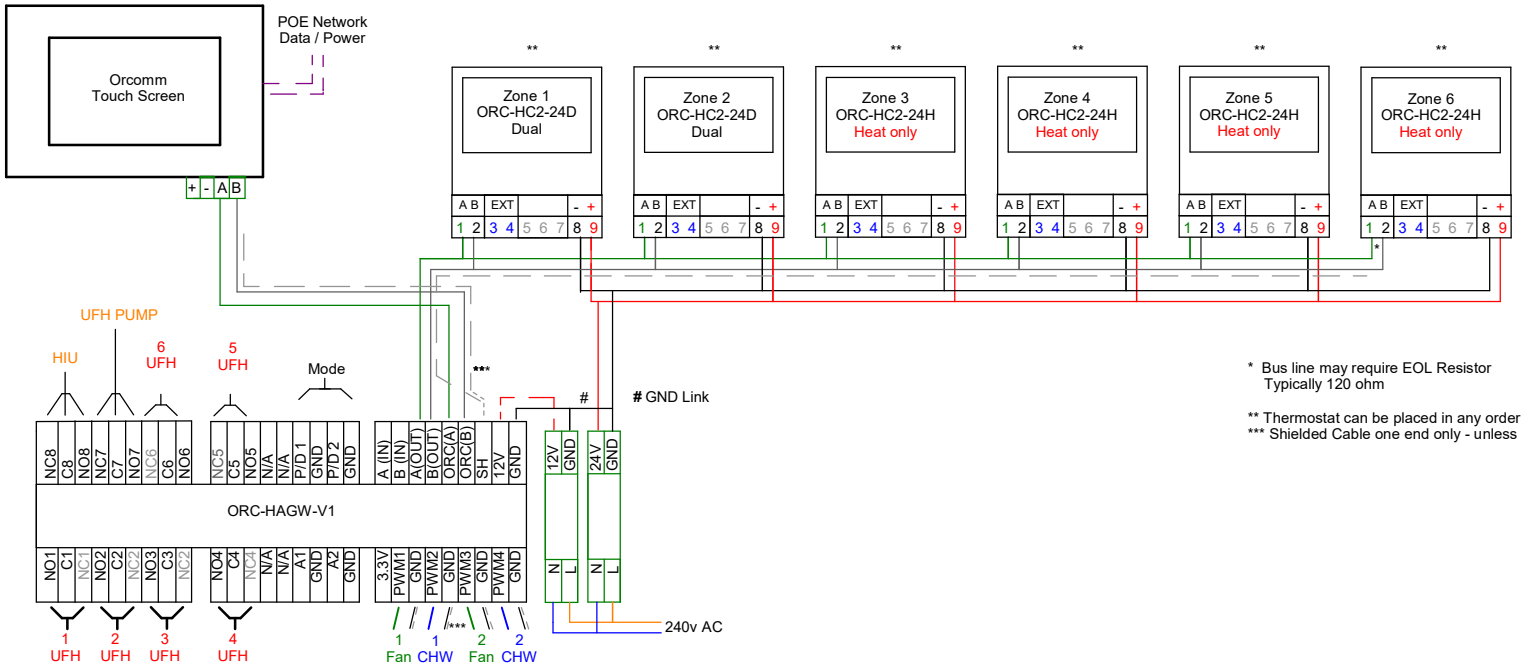
Mode

Master = No Link

Secondary = Link Between P1 and GND

Third = Link Between P2 and GND

Test = Link Both P1 and P2 to GND



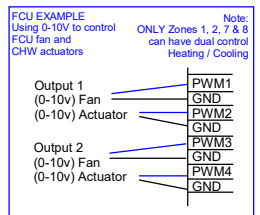
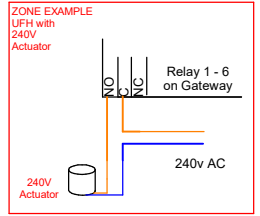
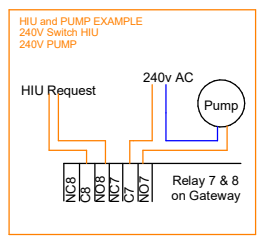
* Bus line may require EOL Resistor
Typically 120 ohm

** Thermostat can be placed in any order

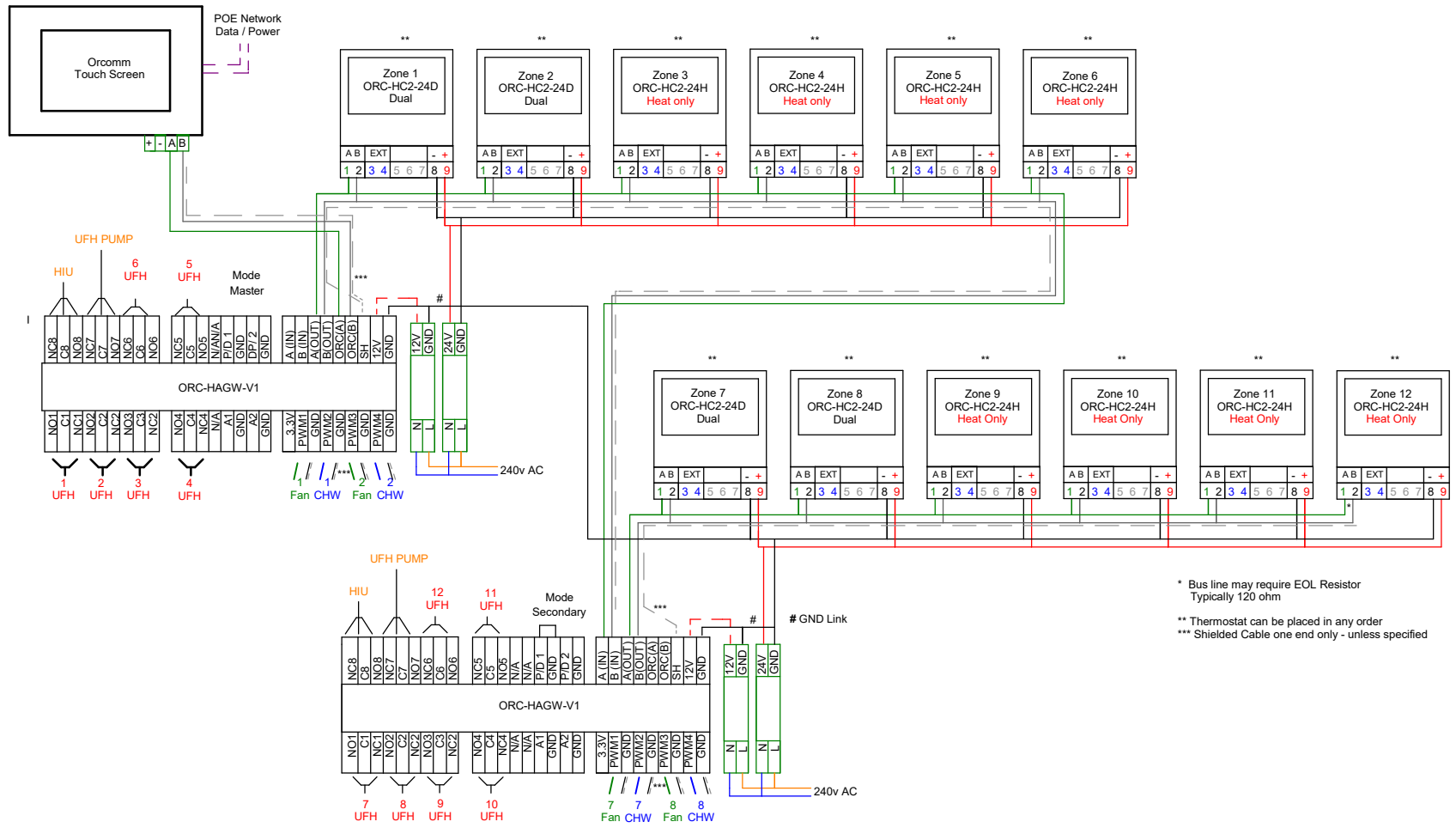
*** Shielded Cable one end only - unless specified

	NAME	DATE	ORCOMM TITLE Schematic for Heating Controls	
DRAWN	tonyh	08/20/20		
CHECKED				
ENG APPR				
MGR APPR				
	SIZE A3	DWG NO DWG (ORC-HAGW V1)	REV 1.1	
	FILE NAME: Heating-Schematic 1.1 (HAGW).dft			
	SCALE: N/A		SHEET 1 OF 1	

REVISION HISTORY			
REV	DESCRIPTION	DATE	APPROVED



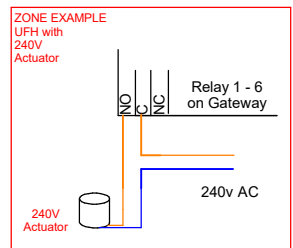
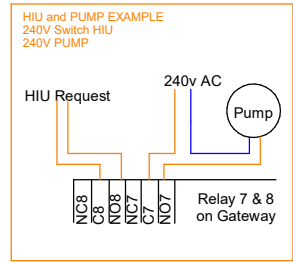
Mode
Master = No Link
Secondary = Link Between P1 and GND
Third = Link Between P2 and GND
Test = Link Both P1 and P2 to GND



* Bus line may require EOL Resistor
Typically 120 ohm
 ** Thermostat can be placed in any order
 *** Shielded Cable one end only - unless specified

NAME	DATE	ORCOMM	
DRAWN	tonyh	08/20/20	TITLE Schematic for Heating Controls
CHECKED			
ENG APPR			
MGR APPR			
SIZE	DWG NO	REV	
A3	DWG I(ORC-HAGW V1 x2)	1.1	
FILE NAME: Heating-Schematic 1.1 (HAGW).dff			
SCALE: N/A		SHEET 2 OF 1	

REVISION HISTORY			
REV	DESCRIPTION	DATE	APPROVED



Drawing examples shows

Dual Heat and Cooling through FCU
Zone 1, 7, 8, 9, 10

UFH only areas (Relay 2 - 6)
Zone 2, 3, 4, 5, 6

NOTE: Relay 1 will now act as Alarm relay for Water detection on A1 - A8, D1 - D6

Alarm 1 Relay will activate when Water leak detected on Gateway EXT

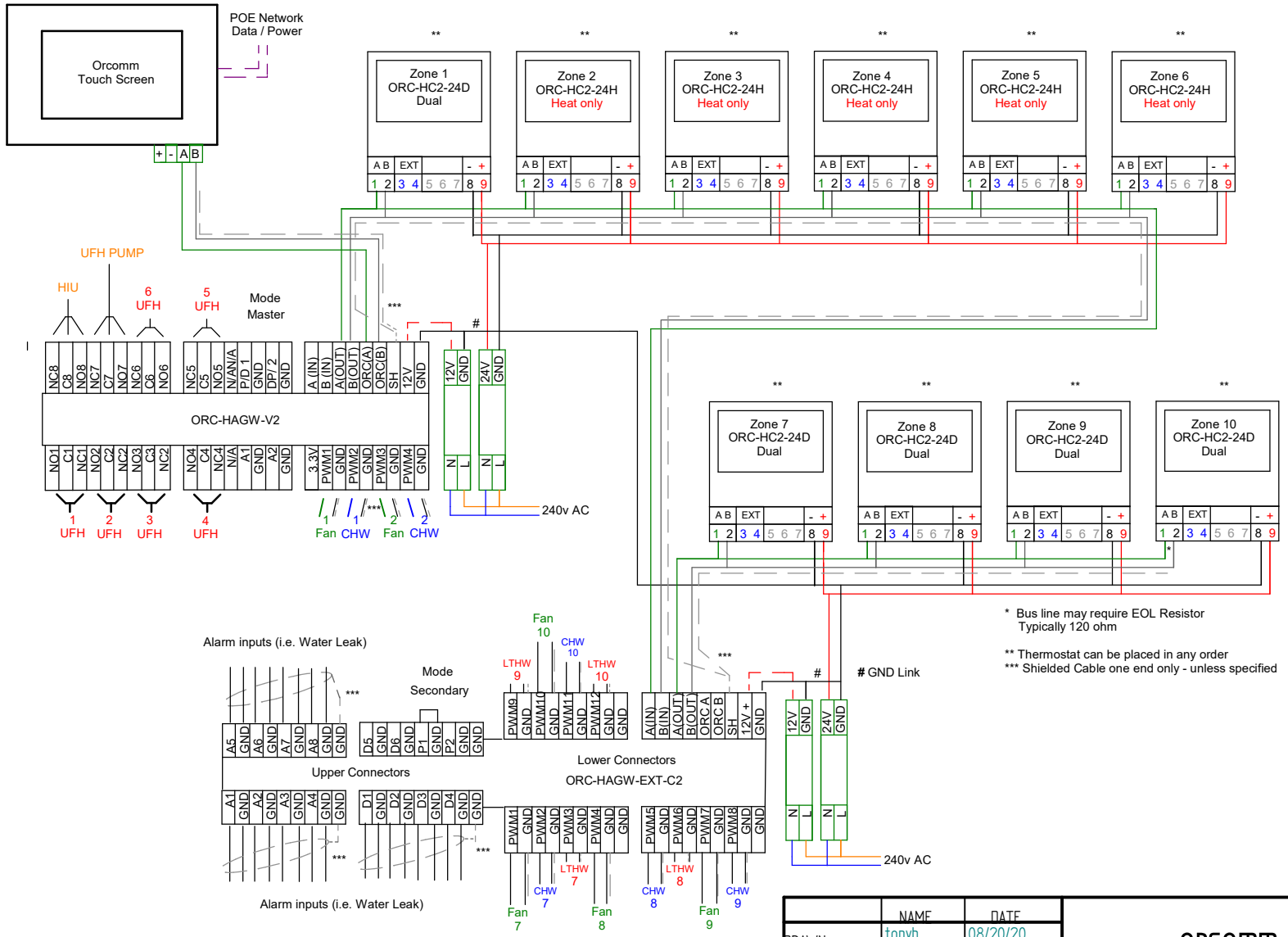
Mode

Master = No Link

Secondary = Link Between P1 and GND

Third = Link Between P2 and GND

Test = Link Both P1 and P2 to GND

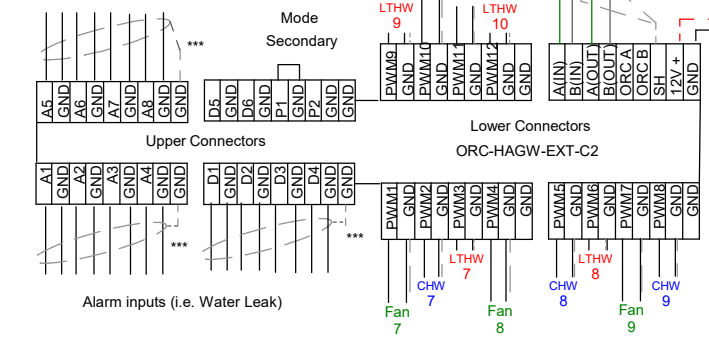


* Bus line may require EOL Resistor Typically 120 ohm

** Thermostat can be placed in any order

*** Shielded Cable one end only - unless specified

Alarm inputs (i.e. Water Leak)



	NAME	DATE	ORCOMM TITLE Schematic for Heating Controls	
DRAWN	tonyh	08/20/20		
CHECKED				
ENG APPR				
MGR APPR			SIZE A3	DWG NO DWG (ORC-HAGW V2 + EXT-C2)
			REV 1.1	
			FILE NAME: Heating-Schematic.1.1 (HAGW).dft	
			SCALE: N/A	SHEET 4 OF 1

