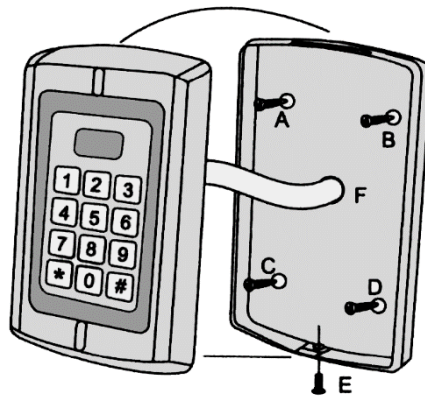


## ORC VDK – M (IM v2)

### Installation Manual

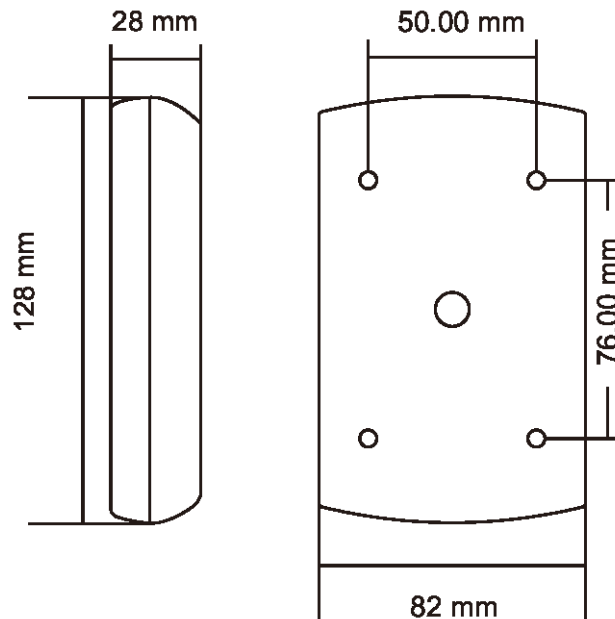
- Remove the security screw (E) from back cover (F) using the supplied screwdriver and detach the front reader.
- Drill 4 holes (6mm) into the wall and insert raw plugs supplied.
  - Caution when drilling near the hole dedicated for the wire.
- Fix the back plate using the 4x screws (A, B, C, D) supplied.
- Make wiring connections referencing the guide below.
- Safely stow wires in between the front reader and back cover (F), pivot the reader from the top and push down.
- Tighten the security screw (E) at the bottom with the screwdriver supplied.



### Wiring Guide

Wire Colour	Function	Description
Red	+12V	Power In (+12V)
Black	GND	Power In (0V)
Green	D0	Wiegand Data 0
White	D1	Wiegand Data 1
Brown	LED	LED connection
Yellow	Beeper	Sounder connection

## Mounting Dimensions



## Packing List:

- 1x Reader
- 1x Security Screwdriver
- 4x Raw Plug
- 4x Self tapping screws
- 1x manual

## Specifications:

Weather: IP65

Enviro Humidity: 0% - 95%

Ambient Temperature: -20°C – 60°C

Power: DC 12V ±10%

Card Type: MF 13.56Mhz

Card Read: 2-6cm

Standby ≤ 30mA

Transmit Distance: 100 Metres

Dimensions: 128x82x28mm

Please ensure the product is installed by a competent engineer familiar with Door Entry / Access Control systems. This product falls under the low voltage regulations.

