

Flush mounted Infrared Exit Device

PART DESCRIPTION



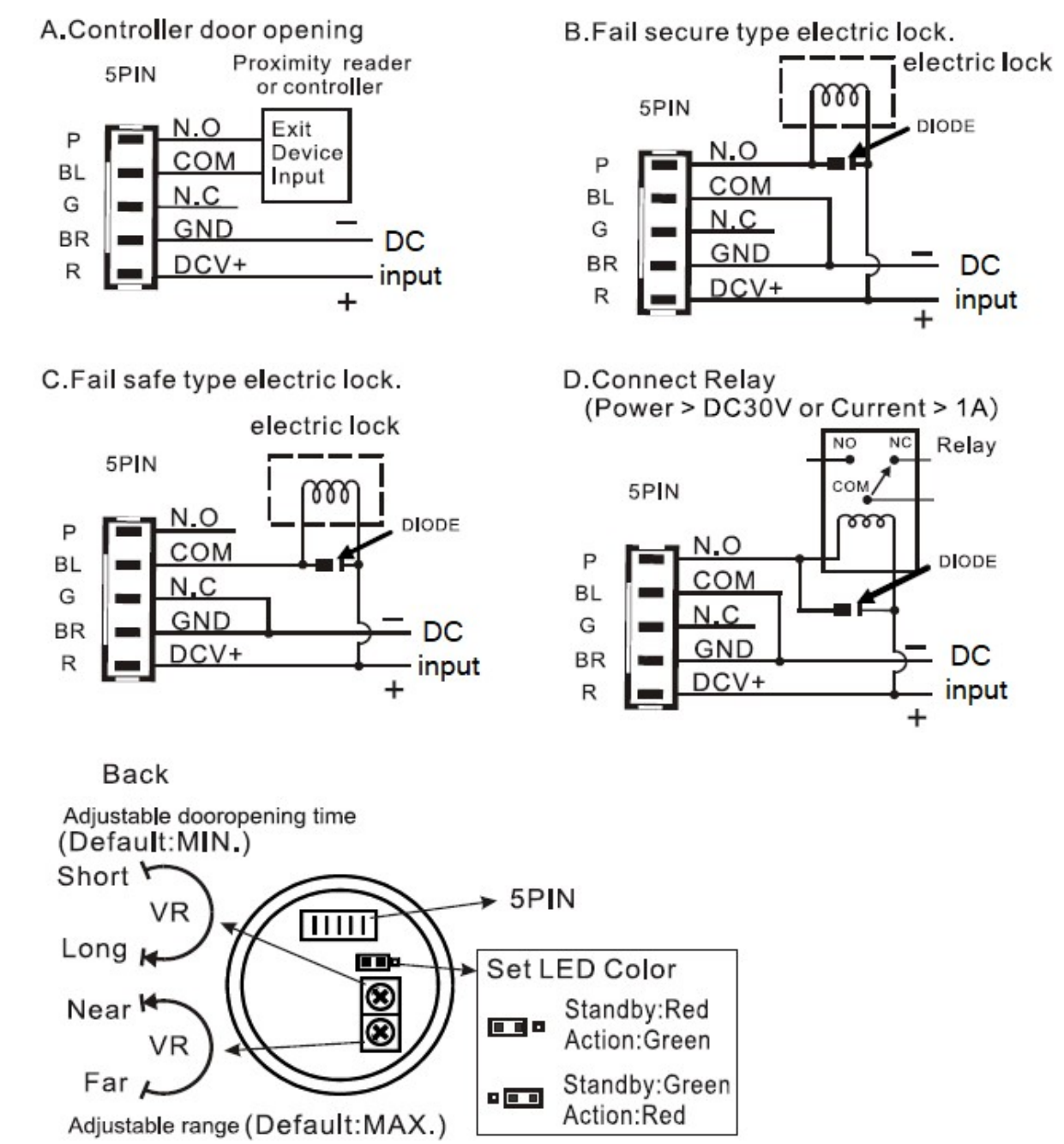
DETAILS

Illumination	RED Halo, Green when activated
Sensor Type	Infrared
Sensor Range	up to 15cm
Installation Type	Flush
Material	Stainless Steel

DESCRIPTION

Touchless proximity switch, activated by close proximity of the hand. No need for physical touch, making it ideal for clean environments.

LINE DRAWING



TECHNICAL INFORMATION

Power	12-24V DC
Current	45mA
Output Type	Relay
Output State	Trigger 0.5 to 20sec
Operating Temperature	-10 to +70'C
Range	4 to 15cm (+/- 25%)
Rating	IP65 Sensor
Weight	50g
Dimensions	85 x 85 x 25mm

NOTES

Suitable for Access Control installations. The device will require minimum of 5 cores to work as designed. Metal Surface mount available ORC-PTE-NT200-S.