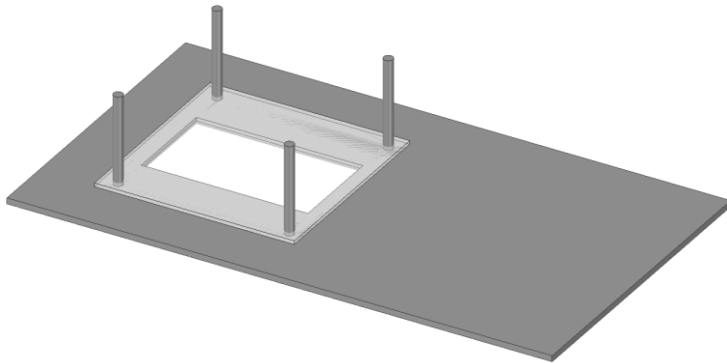
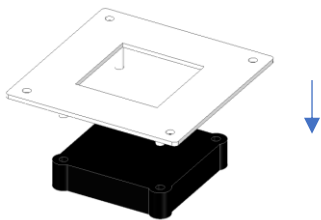


USING PART 1

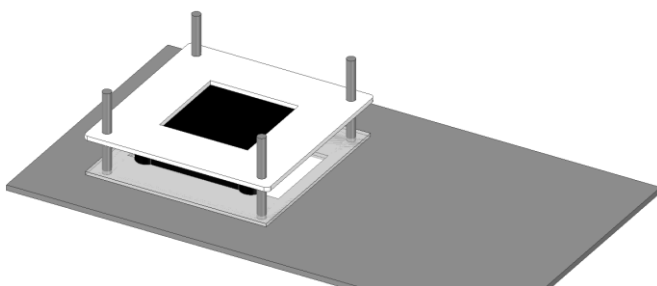
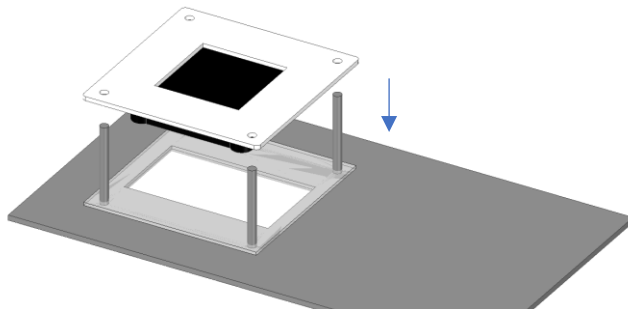
Stainless Steel Panel with Clear 70x40 cover



Pass cable through hole and mount bracket on rear of reader

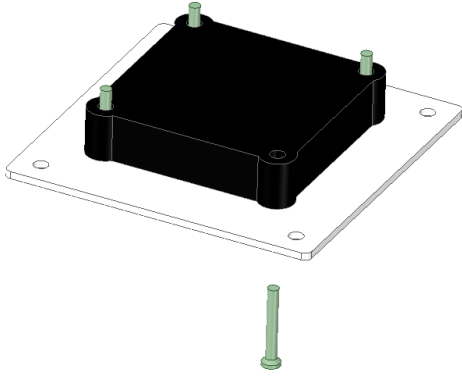


Line outer studs with bracket and tie down with washers and M3 nuts



USING PART 2

Line up the 40x40 reader with the frame Part 2 and insert 4x M3 or M4 Counter sunk screws



Line the reader holder up with the outer Studs and secure with washers and nuts.

